

ASADO COOKER

Model No. C1CHCS



Features:

- 304 Stainless Steel Coyote Signature Smoking Grate™
- Heat-resistant ceramic construction
- 254 sq. in. of cooking area
- Adjustable venting to maintain precise cooking temperatures
- Smoke, sear, grill option
- Optional cart with side shelves (Model No. C1CHCS-FS)

Dimensions:

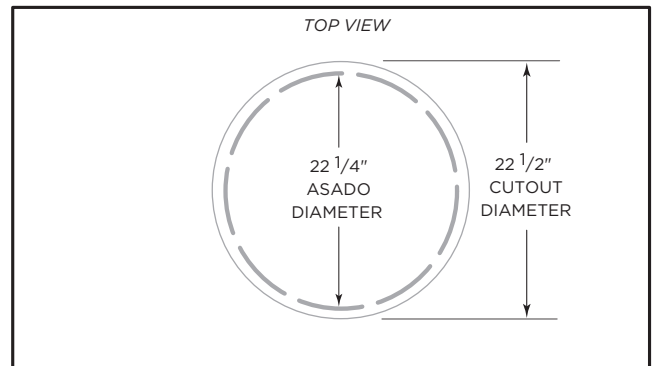
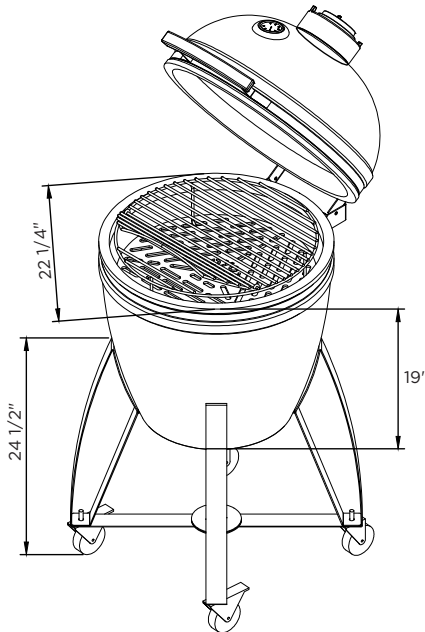
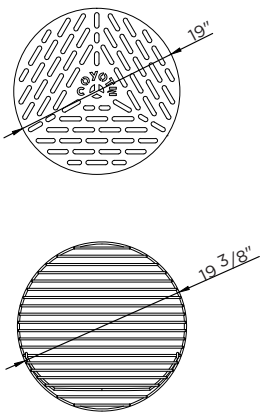
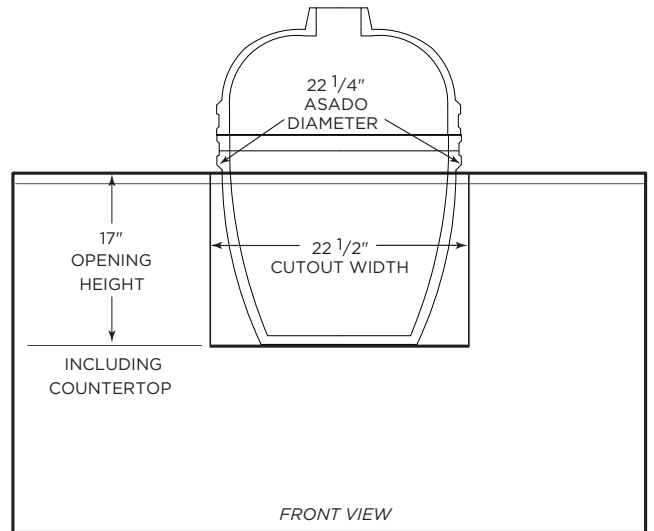
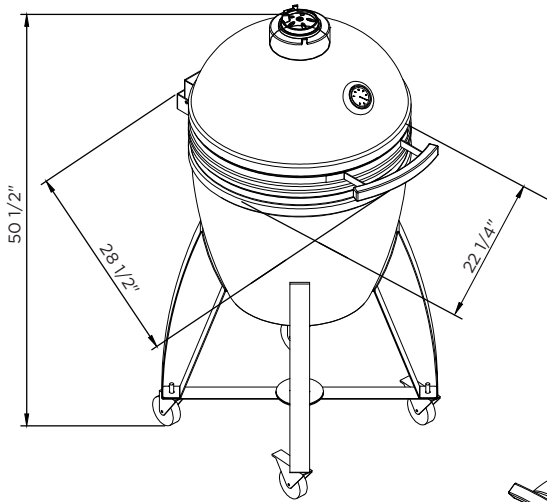
- Overall: 22 1/4" Diameter x 34" Height
- Cutout: 22 1/2" Diameter x 17" Height

Accessories:

- Pizza Stone
- Heat Deflector
- Beer-Can Chicken Holder
- Cooking Grate Grippers
- Waterproof Cover
- All five accessory pieces available in a kit (ASADO-ACC)

C1CHCS PRODUCT SPECS

DIMENSIONAL RENDERINGS



Overall Product Dimensions			
Model No.	Height	Width	Depth
C1CHCS	34"	22 1/4"	22 1/4"
C1CHCS-FS	50 1/2"	22 1/4"	28 1/2"

Cutout Dimensions for Island			
Model No.	Height	Width	Depth
C1CHCS	17"	22 1/2"	22 1/2"
C1CHCS-FS	N/A	N/A	N/A

Install Notes:

- ✓ Due to the C1CHCS's ability to cook with charcoal, this grill can NOT be built into a combustible material island and there is no insulated jacket available
- ✓ Minimum rear clearance for the hood to open is 8"
- ✓ Extra care should be taken when planning your living space, as charcoal embers can escape the grill and move with the wind
- ✓ Combustible material can not be within 24" of the grills frame
- ✓ This applies to all directions - horizontal & vertical
- ✓ Shaded area above on "TOP VIEW" illustrates the 24" minimum requirement (not to scale for rendering purposes)

Important Note to Installer: This file is not intended to replace your Owners' Manual which contains specific safety requirements and consumer guidelines. Please refer to your Owners' Manual prior to installing or operating your built-in grill.